

DIRECT DRIVE
TURNTABLE

KD-500

INSTRUCTION MANUAL

INTRODUCTION

Thank you for purchasing our turntable. Because we take great pride in the long tradition of quality components the name KENWOOD represents, your choice of our product places you in a distinguished family of connoisseurs of superb high-fidelity sound reproduction.

The purpose of this manual is to acquaint you with the operating features of your new turntable. You will notice that in every detail of planning, engineering, styling, operating convenience, and adaptability, we have sought to anticipate your needs and desires.

We suggest that you read this manual carefully. Knowing how to set up your turntable, to the best advantage, will enhance your listening pleasure right from the start. You will also become aware of the ease with which you can adjust your turntable to meet your special requirements.

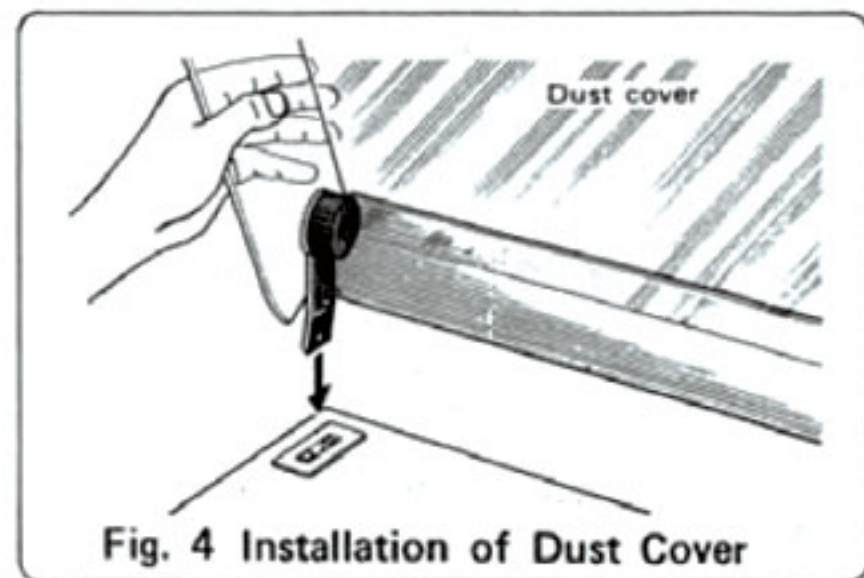
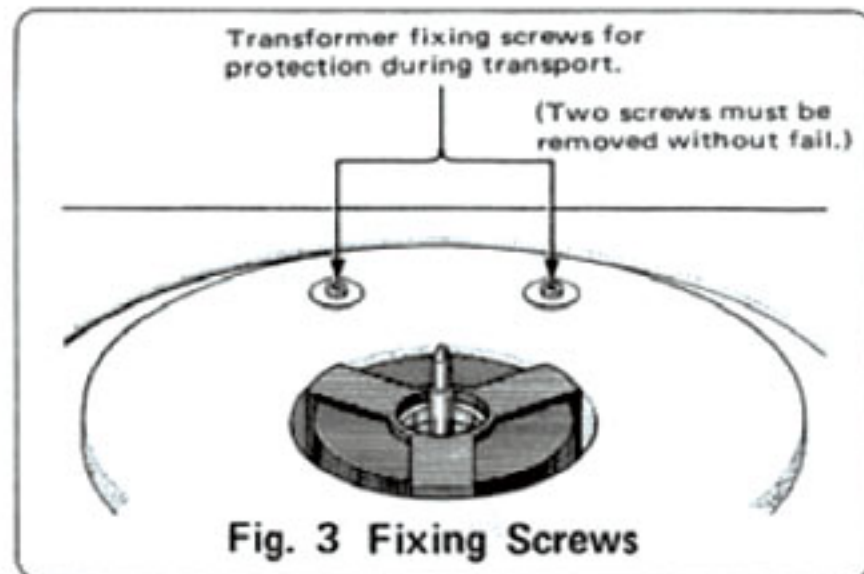
• Anti-Resonance Compression Base

This unit employs resin concrete which is the first cabinet material used in this field. Its excellent acoustic characteristic is represented by vibration-proof performance which is the key to the "No-resonance" characteristic particularly necessary for the turntable. You can be pleased with high-fidelity record reproduction enhanced in combination with superb characteristics of the D.D. motor such as high SN ratio, sufficient howling margin, eminent tone quality etc.



UNPACKING AND SETTING-UP

1. Refer to Fig. 2 and confirm that all parts are correctly furnished. (Fig. 2: Location of Parts)
2. Remove, without fail, screws for fixing the power transformer for protection during transport. (Fig. 3: Fixing Screws)
3. You can mount your favorite tone arm on the attached arm base. This unit provides for the two types of arm bases, either of which can be selected according to the type of tone arm to be mounted. Regarding the methods of mounting the tone arm and usage, please refer to the attached instruction manual for the tone arm.
4. Gently put the turntable on the table shaft and then put the rubber sheet on it.
5. Mount the dust cover (Fig. 4).



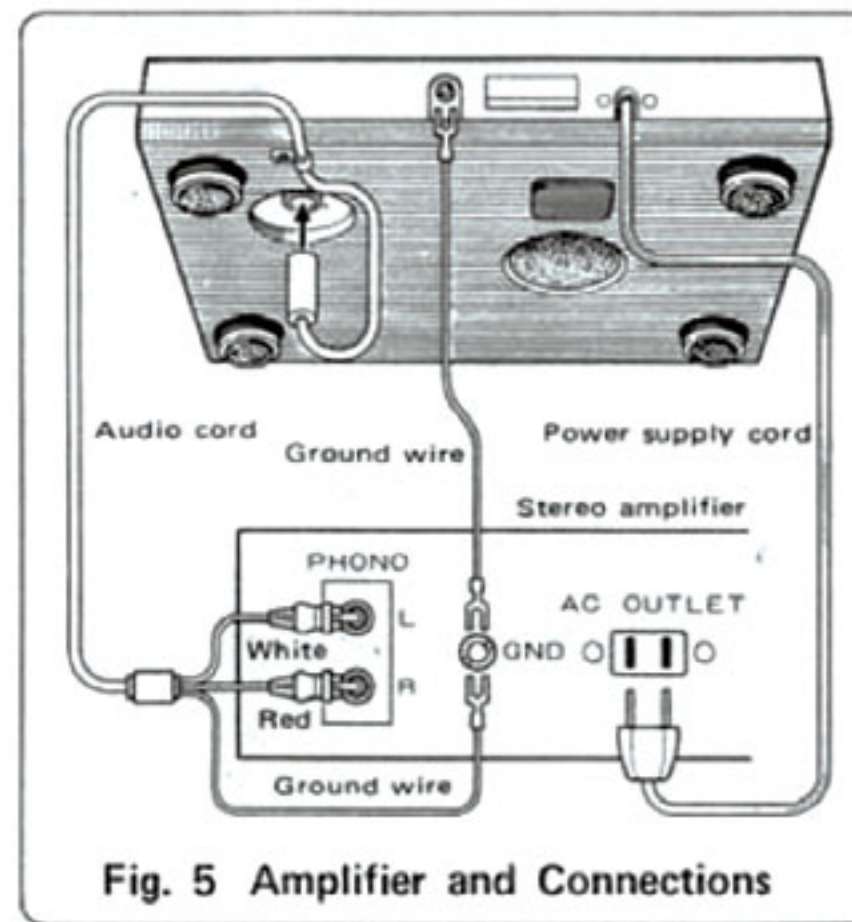
CONNECTIONS

Insert the AC cord plug in the wall outlet or the AC outlet of the amplifier unit.

In this case, AC voltage must be checked without fail.

Connect the ground terminal of the main body between the GND terminal of the amplifier by use of the furnished ground wire.

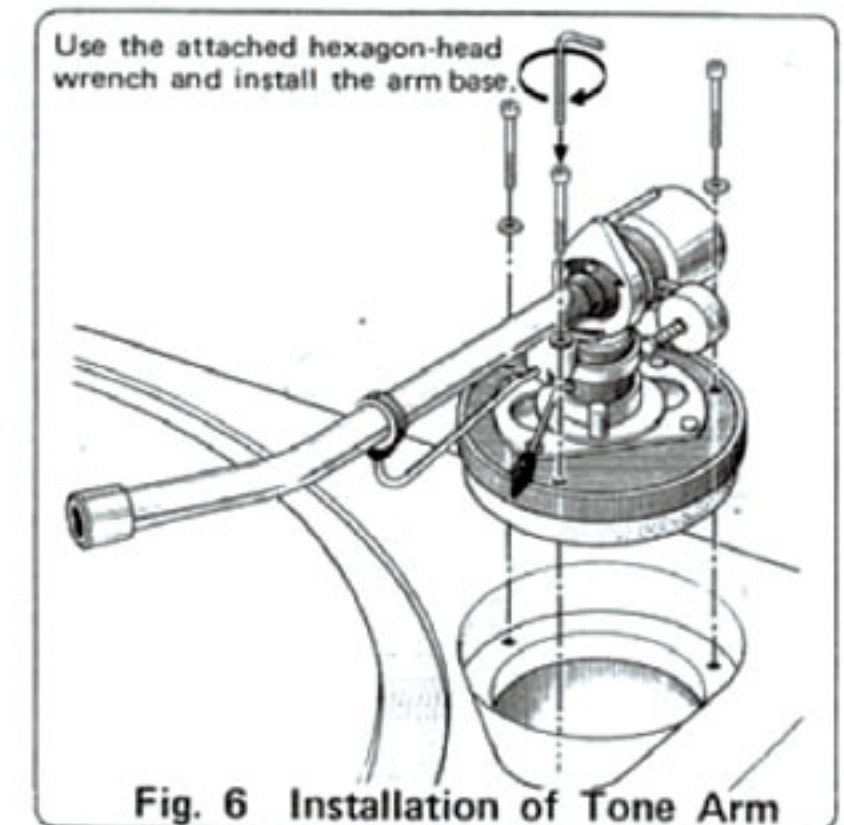
Regarding the audio cord connections, please refer to the instruction manual of the purchased tone arm. Fig. 5 shows an example of audio cord connections.



PLACE FOR INSTALLATION

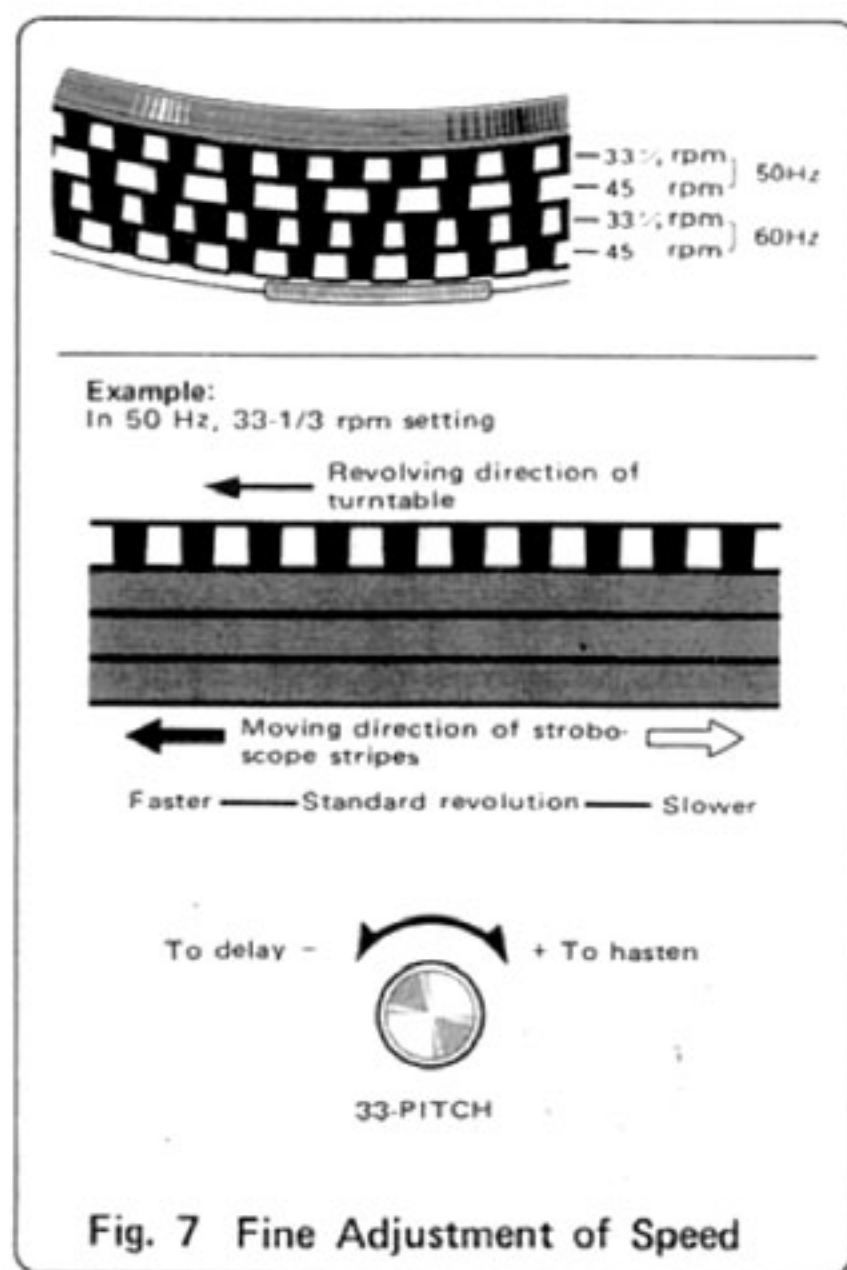
In order to use the unit under the best condition, the following points should be borne in mind:

1. Install the unit horizontally in a stable place where no external vibration may occur.
2. The unit should not be exposed to a direct sun beam or high temperatures which may be caused by room heaters, etc.
3. Perfect performance characteristics cannot sometimes be assured where an ambient temperature is extremely low (below 0°C).
4. The unit should not be installed where dust and moisture are prevalent and wind passage is ineffective.
5. Install the unit as far from the speaker systems as possible. Such installation may suppress the occurrence of howling.
6. Where horizontality cannot be obtained, the legs of this unit should be turned to the right or left for the adjustment of height to obtain a better horizontality. (In order to increase the effect of insulators, respective legs should be loosened after rotating four times when adjusting height of the unit.)



ADJUSTMENT OF SPEED

This unit employs a brushless DC servo motor which permits fine adjustment of speed. The motor speed is adjusted accurately and exactly by means of a stroboscope. Adjust the knob until the stripes of the stroboscope stop as illustrated in Fig. 7.



RECORD REPRODUCTION

☆ In this step the unit is ready for record reproduction. To start record reproduction, put a record on the turntable and switch on the unit to rotate the turntable. Move the tone arm to the record starting point, where the arm elevation mechanism can be lowered slowly. Then record reproduction is started. The arm elevation can be used also for safe and exact finish and suspension of record reproduction. After performance, set the power switch to OFF without fail.

MAINTENANCE

1. The driving motor used in this unit employs oil-less metal which permits continuous operation for 20,000 hours without any lubrication. Therefore, it is unnecessary to supplement the lubricant.
2. The driving motor is DC type which is never influenced by modification of the source frequency (50 – 60 Hz).
3. When cleaning this unit, a piece of dry cloth or silicone cloth should be used. If the unit is heavily contaminated, wipe them with cloth wetted in soapsuds and wrung.

IMPORTANT:

Use of thinner, benzene, and similar volatile liquid is absolutely prohibited.

TROUBLE SHOOTING

Check the unit again.

Hum (boom, zzz noise) is generated.

- Check whether the audio cord and the ground wire are respectively connected between turntable and amplifier.
- Check whether the plug-in head is perfectly mounted.
- Rearrange the audio cord and try to change the turntable position.
- Try to reverse insertion of the power supply cord.

Howling occurs:

- Howling is caused by transmission of speaker's sound pressure or floor vibration to the turntable. The speaker systems should be installed as far from the turntable as possible. The turntable must be installed where the floor condition is sound and stable.

RATING

Power Consumption:	9 W
Dimensions:	W 502 mm (19-3/4")
	D 382 mm (15")
	H 162 mm (6-3/8")
Weight:	14.9 kg (32.8 lbs.)

the sound approach to quality
KENWOOD

NOTES

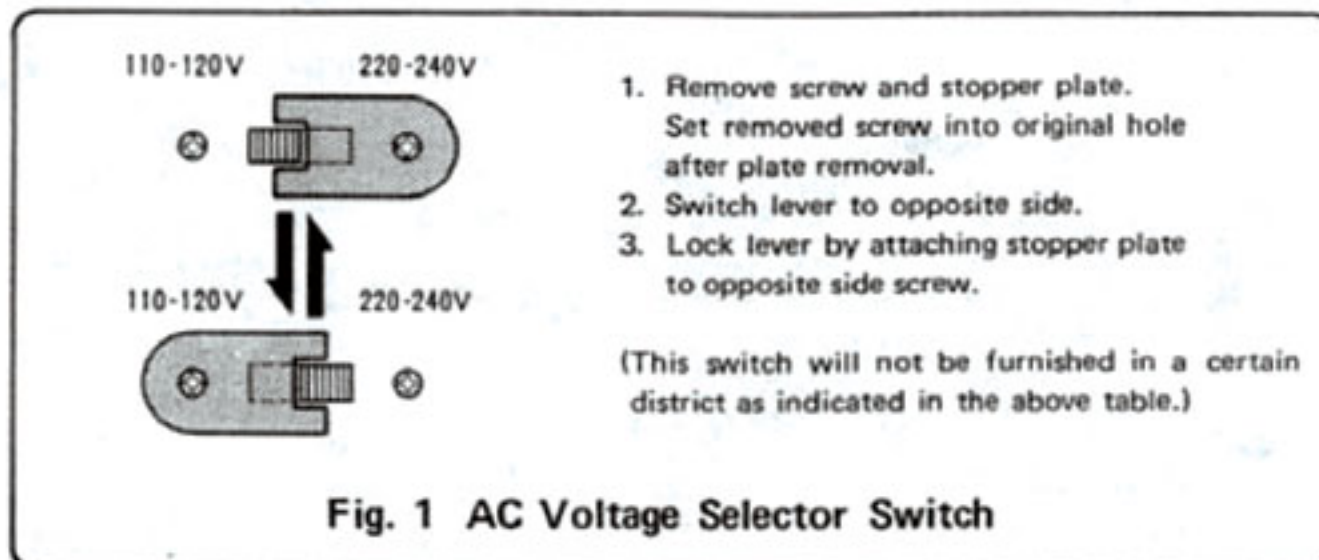
LINE VOLTAGE

In every district there is its own combination of power supply voltage and frequency. This unit is shipped after it has been preset to the condition in destination. However, if it should deviate from the required setting, then it must be rearranged by use of the AC voltage selector switch in accordance with the following information:

Destination	AC voltage	AC voltage selector
U. S. A.	120 V	Not provided
Canada	120 V	Not provided
England	120 ~ 240 V	Provided
Australia	120 ~ 240 V	Provided
Europe	120 ~ 240 V	Provided
Other nations	120 ~ 240 V	Provided

MODIFICATION OF AC VOLTAGE

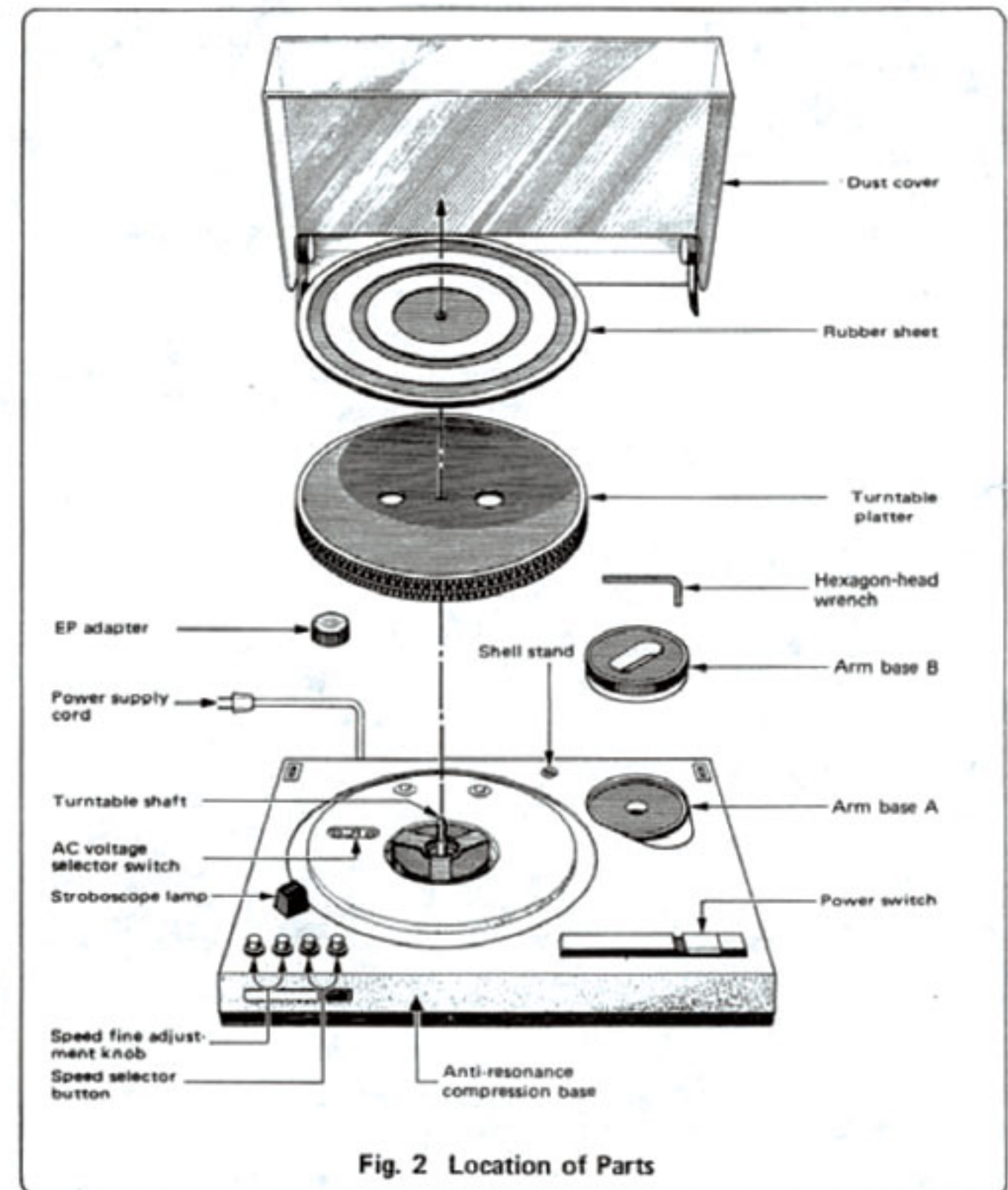
The AC voltage can be switched over always after pulling off the AC plug from the wall outlet (Fig. 1).



Our warranty does not cover damage caused by excessive line voltage due to improper setting of the AC voltage selector switch.

WARNING: TO PREVENT FIRE OR SHOCK HAZARD, DO NOT EXPOSE THIS APPLIANCE TO RAIN OR MOISTURE.

TURNTABLE PARTS NOMENCLATURE



SERIAL NUMBER

Record your SERIAL NUMBER on the spaces designated on the warranty card. You will find the serial number on the back of the unit.